

WCV Water Control Valve  
For SCALEMASTER<sup>®</sup> Nozzles



Water Control Valve

# WCV Water Control Valve

## The Features and Advantages

### The problem

Modern descaling systems use low water pressure pre-fill to prevent hydraulic shock of water hammers starting high pressure spraying via an open header. But the low-pressure water can lead to unwanted metallurgical effects because of uncontrolled cooling especially during Thermo Mechanical Control process of rolling plates.



### The solution

Mitsuda has developed Water Control Valve for Scalemaster installing in front of every descaling nozzle in order prevent a water flow below pressure of 10-5 bar.

### The features

- | The WCV is a check valve that contains a stabilizer.
- | Every Water Control Valve includes a filter<sup>2</sup>.
- | Water Control Valve is made of stainless steel.
- | Metallic sealing.
- | Piston hardened.

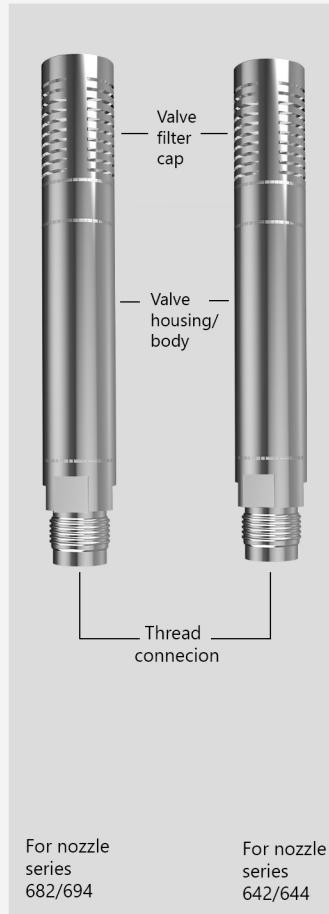
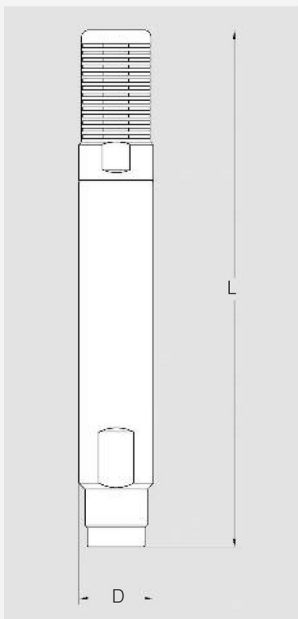
### The advantages of WCV

- | No need for header change.
- | Available for nozzle series of SCALEMASTER<sup>®</sup>, ShortSCALEMASTER<sup>®</sup>, SCALEMASTER<sup>®</sup> Advanced Performance and ShortSCALEMASTER<sup>®</sup> Advanced Performance.
- | Large internal free passages for clogging free operation.
- | Simple design.
- | Changeable components.
- | Long service life.

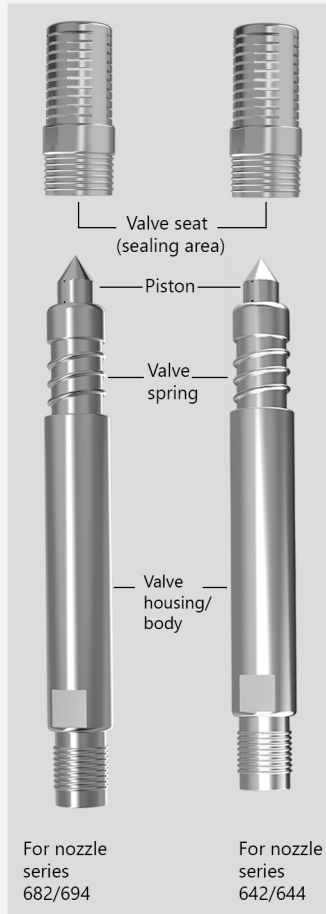


# Water Control Valve

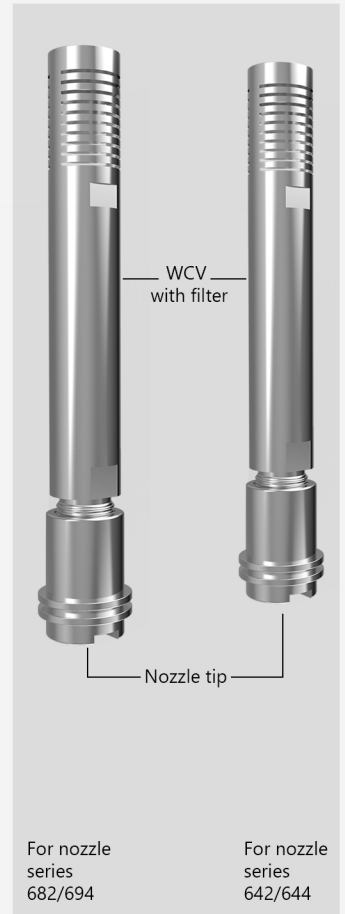
The components and technical data of Water Control Valve is shown on the following figures. Please contact with us for further information.



WCV Water Stop Valve



WCV Water Control Valve, components

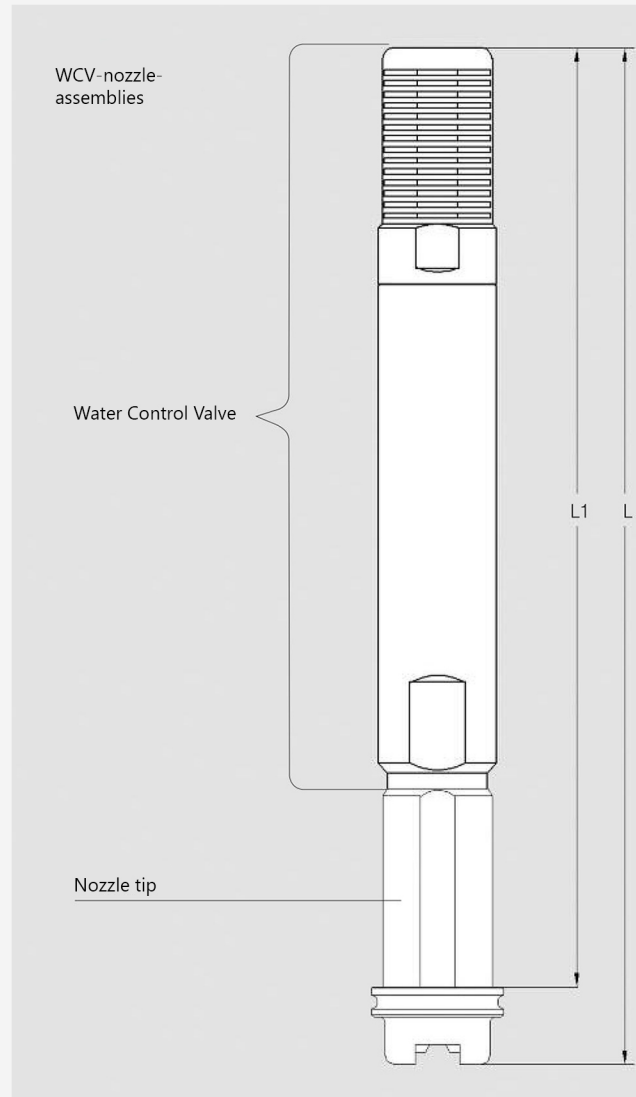


WCV Water Control Valve, mounted with nozzle

## Technical Data

For use in combination with nozzle series	Ordering number	Opening pressure [mm]	Closing pressure [bar]	Filter slit width [mm]	L [mm]	D [mm]	G	Weight [g]	Material
SCALEMASTER® 694	069.422.1E.01.00.0	8	5	1	148	21,5	M18x1	242	Stainless steel
	069.422.1E.00.00.1	14	10	1	148	21,5	M18x1	242	Stainless steel
SCALEMASTER® AP 682	068.220.1E.01.00.0	8	5	1	148	21,5	M16x1,5	242	Stainless steel
	068.220.1E.00.00.1	14	10	1	148	21,5	M16x1,5	242	Stainless steel
ShortSCALEMASTER® 644	064.423.1E.01.00.0	8	5	1	140	18,8	M16x1	176	Stainless steel
	064.423.1E.00.00.0	14	10	1	140	18,8	M16x1	176	Stainless steel
ShortSCALEMASTER® AP 642	064.223.1E.01.00.0	8	5	1	140	18,8	M16x1,5	176	Stainless steel
	064.223.1E.00.00.0	14	10	1	140	18,8	M16x1,5	176	Stainless steel

# WCV Water Control Valve Assembly with SCALEMASTER® nozzles



Nozzle series	WCV Ordering number	L [mm]	L1 [mm]
SCALEMASTER 694	M6.69.422.1E.01.00.0	170	156
	M6.69.422.1E.00.00.0	170	156
SCALEMASTER AP 682	M6.68.220.1E.01.00.0	185	171
	M6.68.220.1E.00.00.0	185	171
ShortSCALEMASTER 644	M6.64.423.1E.01.00.0	162	148
	M6.64.423.1E.00.00.0	162	148
ShortSCALEMASTER AP 642	M6.64.223.1E.01.00.0	177	163
	M6.64.223.1E.00.00.0	177	163

